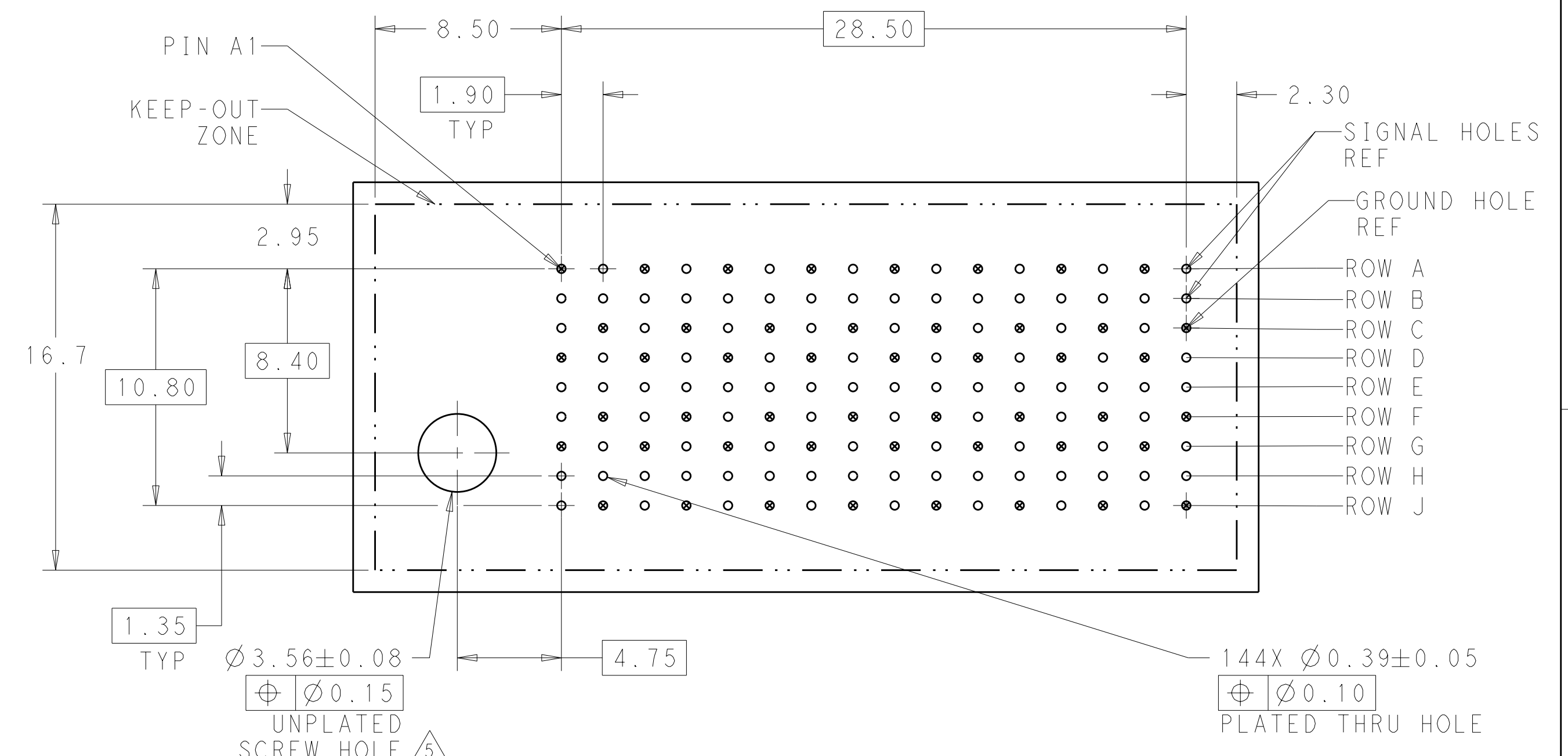
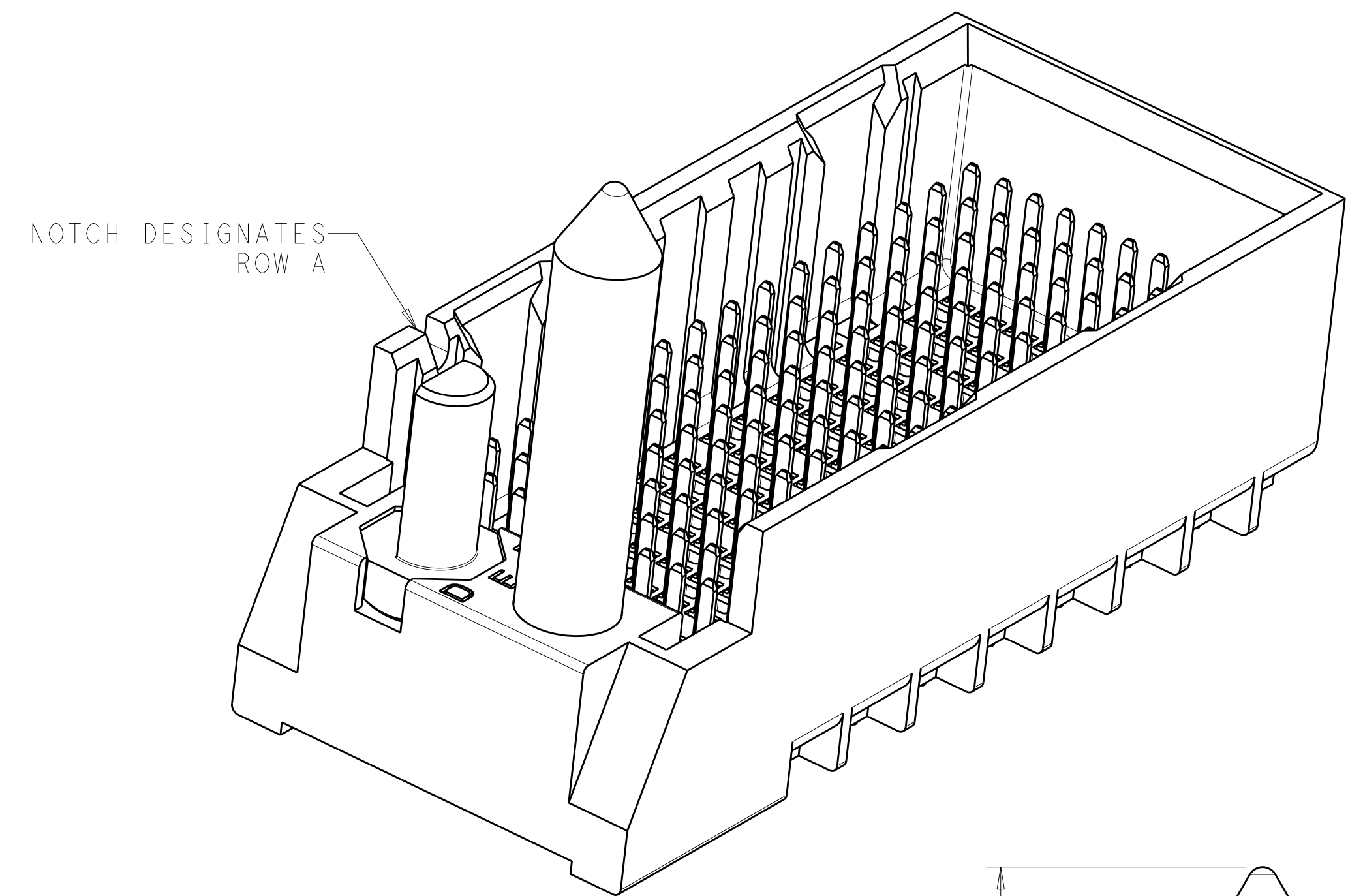
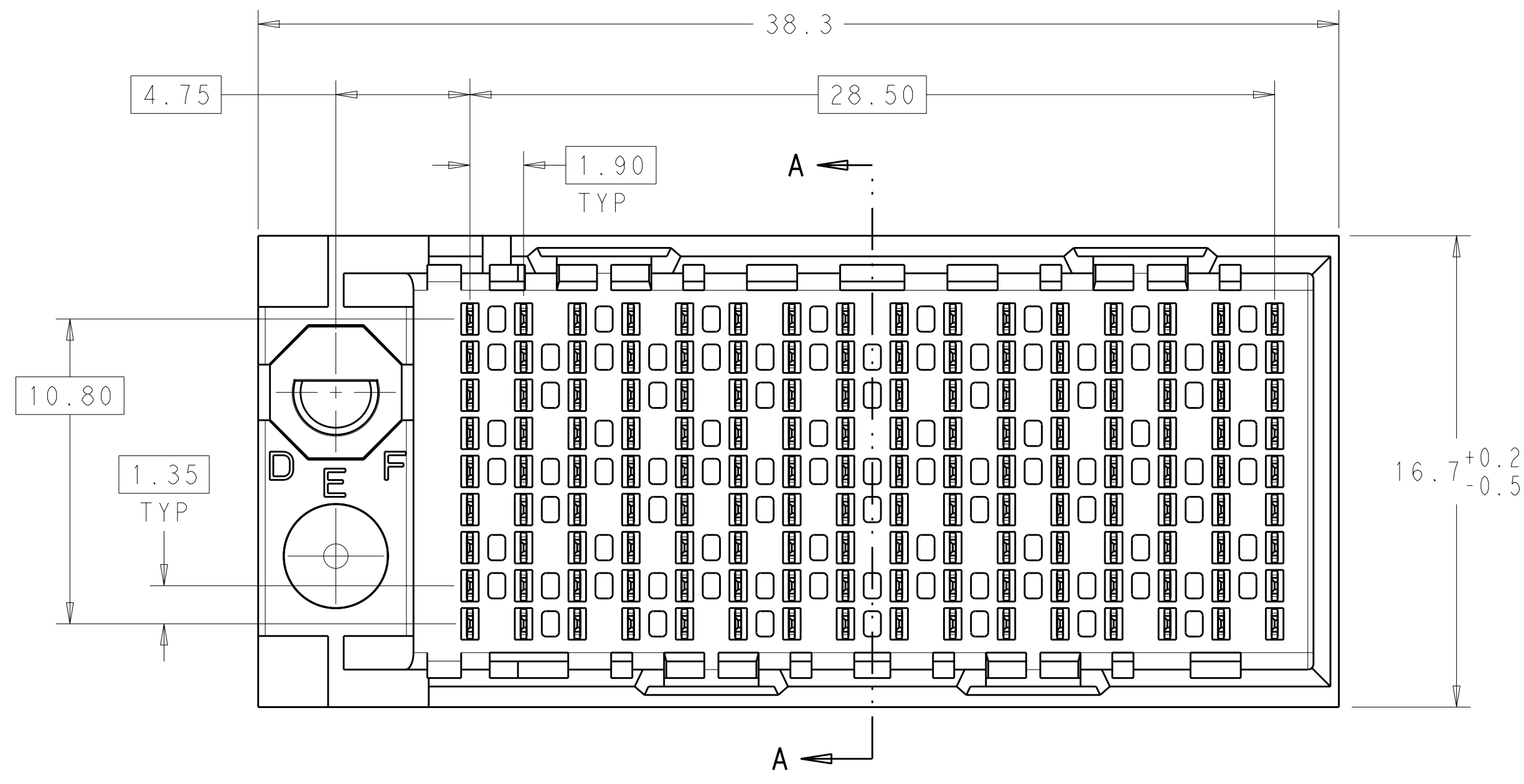
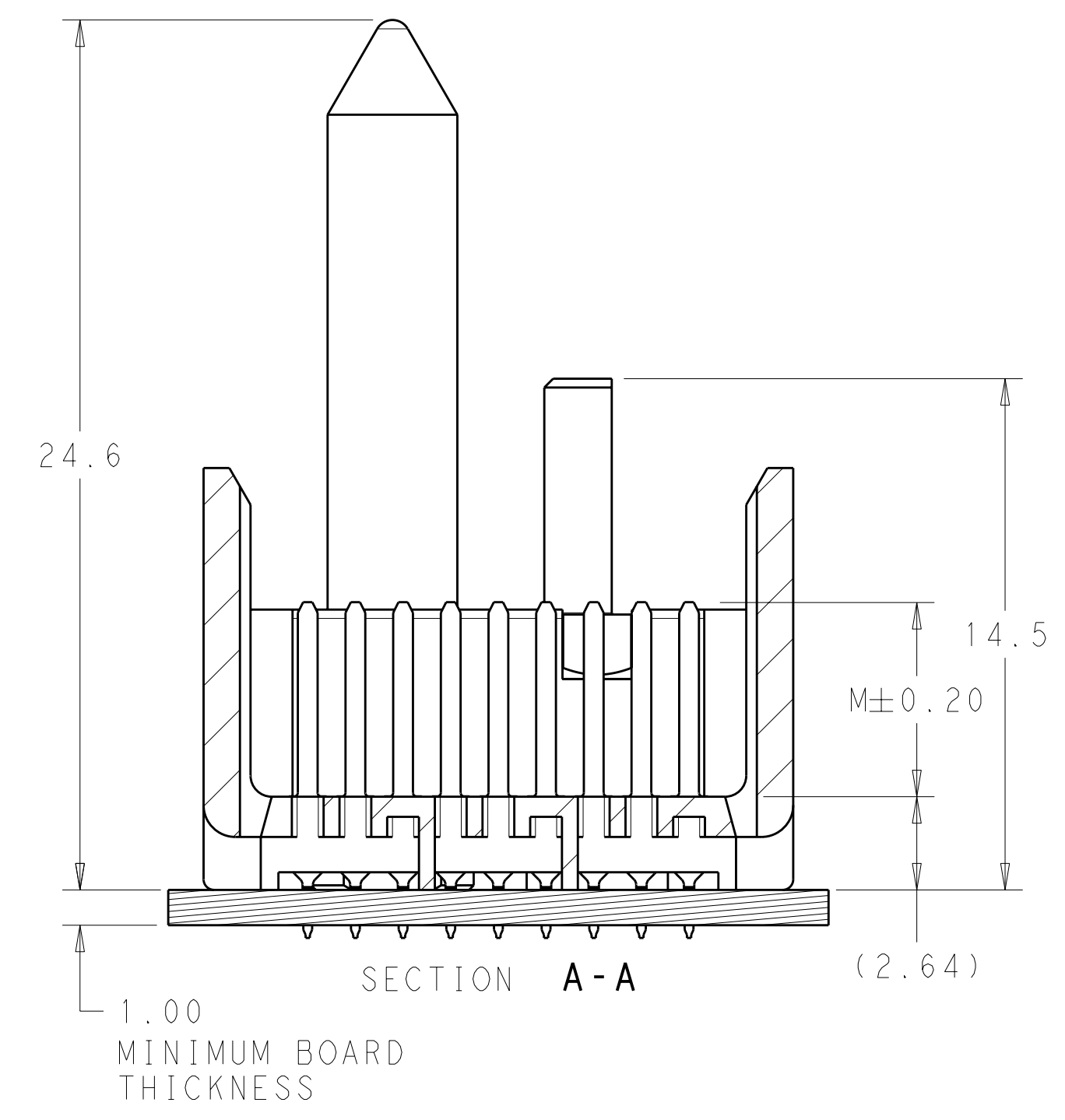
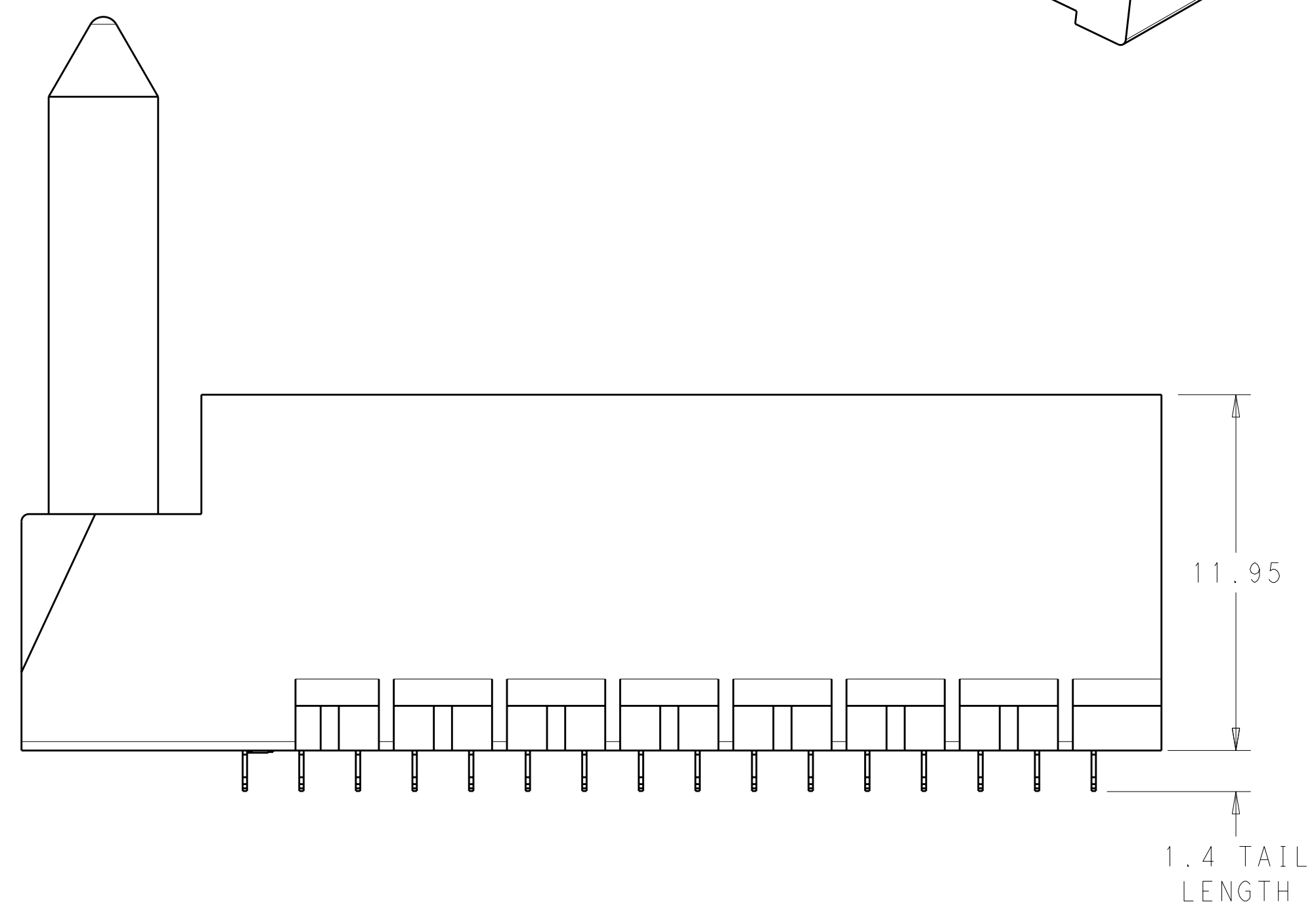


LOC	DIST	REV	DATE	BY	APPD
AD	00	C	22DEC11	KH	DY



- 1 MATERIAL:
HOUSING: LCP, GLASS FILLED, UL94V-0.
TERMINALS: HIGH PERFORMANCE COPPER ALLOY.
- 2 FINISH:
30µ" MIN GOLD IN CONTACT AREA. SELECTIVE TIN ON PCB TAILS, NICKEL OVERALL.
- 3 FINISH:
30µ" MIN GOLD IN CONTACT AREA. SELECTIVE TIN-LEAD ON PCB TAILS, NICKEL OVERALL.
- 4. SCREWS PACKAGED IN END OF PACKAGING TUBE.
- 5 FOR GROUNDED GUIDE PIN USE Ø3.56±0.08 PTH, Ø3.66 DRILL, AND Ø6.5 PAD.
- 6. KEYING PIN SHOWN IN POSITION A. SEE KEYING CHART ON SHEET 2 FOR OTHER POSITIONS.



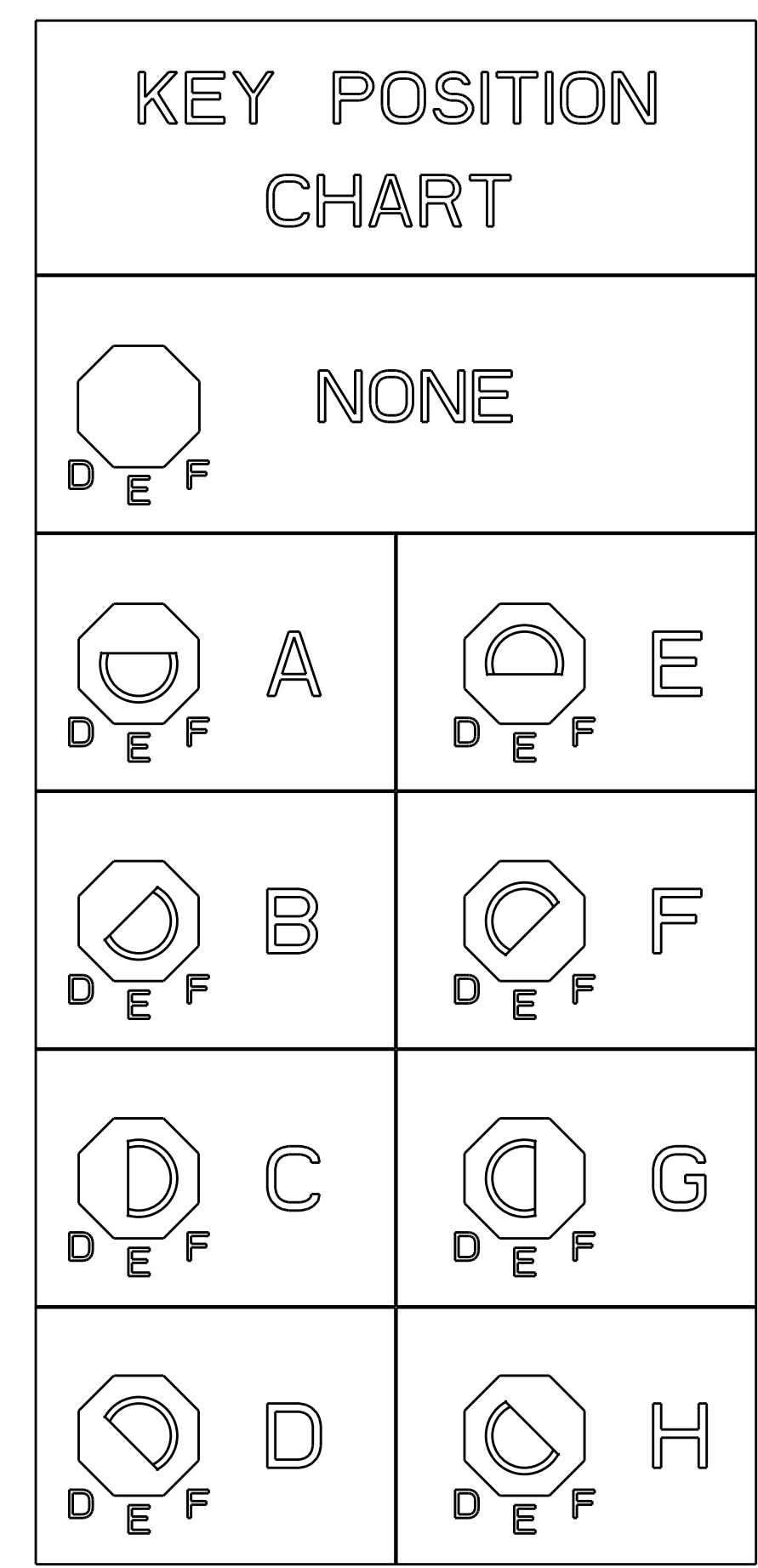
LEFT GUIDED BACKPLANE HOLE PATTERN (CONNECTOR SIDE)

THIS DRAWING IS A CONTROLLED DOCUMENT.		DWN J. K. SHOBER 22DEC11	TE Connectivity
DIMENSIONS: mm		CHK J. EBY 22DEC11	
TOLERANCES UNLESS OTHERWISE SPECIFIED:		APVD J. EBY 22DEC11	NAME: IMPACT, 3 PAIR, 16 COLUMN, HEADER LEFT GUIDED, RIGHT END WALL SIGNAL MODULE, 0.39 PTH
9 PLC ±		PRODUCT SPEC	
1 PLC ±0.25		APPLICATION SPEC	SIZE: CAGE CODE DRAWING NO: A100779C=2007795
3 PLC ±0.13		RESTRICTED TO	
5 PLC ±		WEIGHT	SCALE: 6:1 SHEET 1 OF 2 REV C
4 PLC ±		CUSTOMER DRAWING	
ANGLES ±			
FINISH SEE TABLE			

LOC		DIST		REVISIONS			
AD	00	P	LTB	DESCRIPTION	DATE	DWN	APVD
		-	-	SEE SHEET 1	-	-	-

3	H	5.5	8-2007795-6
3	H	4.9	8-2007795-5
3	H	4.5	8-2007795-4
2	H	5.5	8-2007795-3
2	H	4.9	8-2007795-2
2	H	4.5	8-2007795-1
3	G	5.5	7-2007795-6
3	G	4.9	7-2007795-5
3	G	4.5	7-2007795-4
2	G	5.5	7-2007795-3
2	G	4.9	7-2007795-2
2	G	4.5	7-2007795-1
3	F	5.5	6-2007795-6
3	F	4.9	6-2007795-5
3	F	4.5	6-2007795-4
2	F	5.5	6-2007795-3
2	F	4.9	6-2007795-2
2	F	4.5	6-2007795-1
3	E	5.5	5-2007795-6
3	E	4.9	5-2007795-5
3	E	4.5	5-2007795-4
2	E	5.5	5-2007795-3
2	E	4.9	5-2007795-2
2	E	4.5	5-2007795-1
3	D	5.5	4-2007795-6
3	D	4.9	4-2007795-5
3	D	4.5	4-2007795-4
2	D	5.5	4-2007795-3
2	D	4.9	4-2007795-2
2	D	4.5	4-2007795-1
3	C	5.5	3-2007795-6
3	C	4.9	3-2007795-5
3	C	4.5	3-2007795-4
2	C	5.5	3-2007795-3
2	C	4.9	3-2007795-2
2	C	4.5	3-2007795-1
3	B	5.5	2-2007795-6
3	B	4.9	2-2007795-5
3	B	4.5	2-2007795-4
2	B	5.5	2-2007795-3
2	B	4.9	2-2007795-2
2	B	4.5	2-2007795-1
3	A	5.5	1-2007795-6
3	A	4.9	1-2007795-5
3	A	4.5	1-2007795-4
2	A	5.5	1-2007795-3
2	A	4.9	1-2007795-2
2	A	4.5	1-2007795-1
3	-	5.5	2007795-6
3	-	4.9	2007795-5
3	-	4.5	2007795-4
2	-	5.5	2007795-3
2	-	4.9	2007795-2
2	-	4.5	2007795-1
FINISH	KEY POSITION	DIM M	PART NUMBER

REFER TO WWW.TE.COM FOR PRODUCT AVAILABILITY



THIS DRAWING IS A CONTROLLED DOCUMENT.		DWN J. K. SHOBER 22DEC11	TE TE Connectivity
DIMENSIONS: mm		CHK J. EBY 22DEC11	
TOLERANCES UNLESS OTHERWISE SPECIFIED:		APVD J. EBY 22DEC11	NAME IMPACT, 3 PAIR, 16 COLUMN, HEADER LEFT GUIDED, RIGHT END WALL SIGNAL MODULE, 0.39 PTH
9 PLC ±0.25		PRODUCT SPEC	
3 PLC ±0.13		APPLICATION SPEC	SIZE CAGE CODE DRAWING NO RESTRICTED TO
5 PLC ±		WEIGHT	A100779C=2007795
4 PLC ±		CUSTOMER DRAWING	SCALE 5:1 SHEET 2 OF 2 REV C
ANGLES ±			
FINISH SEE TABLE			